

CONTACT

Toll Free +1 888 510 2893
Phone 226-400-4101
Email hello@muddconcrete.com
Web muddconcrete.com



hello sink installer

please **carefully** read these instructions prior to install to avoid damage from mishandling and/or improper installation.

Please wait
24 hrs before
water testing

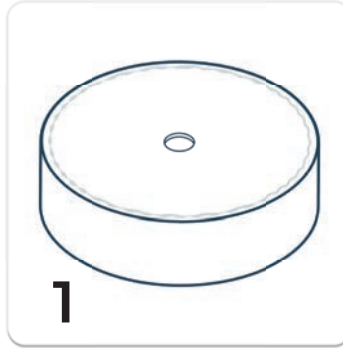
Do not place
tools and
fixtures near
basin during
install

INSTALLATION GUIDE



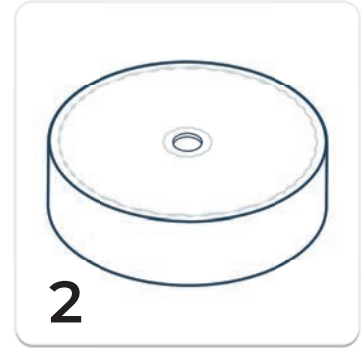
Cut large enough opening in surface (4" diameter) for plumbing to attach to basin **only**.

Plumbing must attach to basin without interference. Consequences of improper installation are over-tension causing cracking.



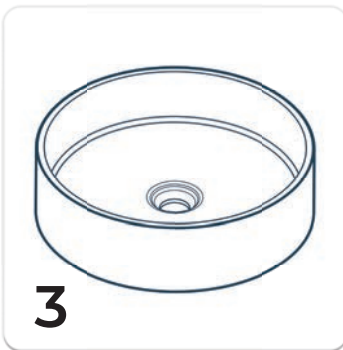
1

Run a **generous** amount of clear silicone around the underside of the basin 1" back from the outer edge.



2

Run another **generous** amount of clear silicone 2" back from the drain hole.



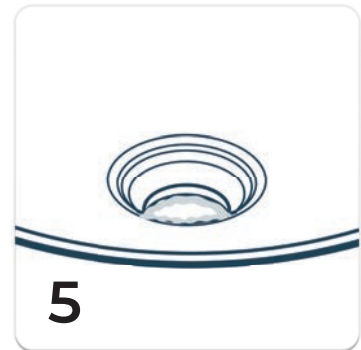
3

Flip and press down onto the surface. Remove excess silicone and wipe clean with a microfiber cloth.



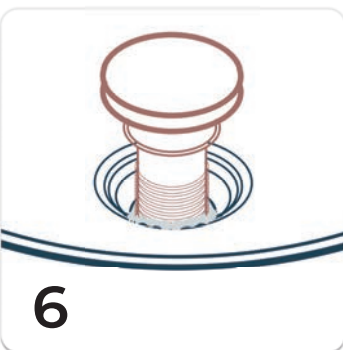
4

Run a bead of clear silicone to fill the gap between the basin and the surface. Smooth silicone off to a neat finish. Ensure edge is fully water-proofed. **Allow silicone to sit and dry for 12 hours prior to installing plumbing fixtures in step 5, 6 and 7.**



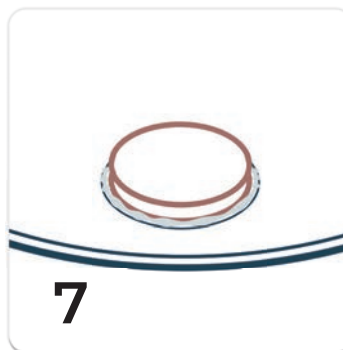
5

Run a **generous** amount of clear silicone around the drain rim. It is important that the silicone overflows when drain is placed through the opening.



6

Slide drain into place and add a **generous** amount of silicone to drain seal or nut underneath. Secure drain by hand tightening no more than a 1/8" turn. **Do not overtighten.**



7

Carefully push extra silicone around any gaps between drain and sink, as needed.

ta-da!