

Bala Affix

mudd.
concrete

DESIGNED &
MADE IN CANADA

CONTACT

Toll Free
Phone
Email
Web

+1 888 510 2893
226-400-4101
hello@muddconcrete.com
muddconcrete.com

COLLECTION

Buket



DESCRIPTION

A rectangular micro basin with subtle interior contours. Includes custom brackets for standalone mounting.

DIMENSIONS (BASIN)

406mm L x 203mm W x 152mm H
(16" L x 8" W x 6" H)

WEIGHT (BASIN)

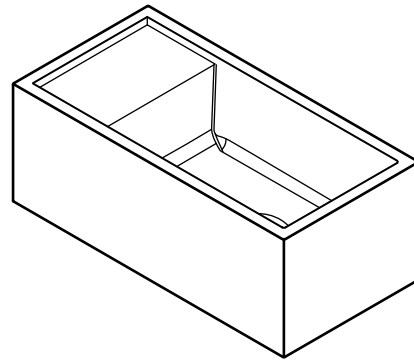
11 kg (23 lbs)

DRAIN RQD

44mm (1-3/4") max. w/o overflow

CERTIFICATION

CSA B45.8:23/IAPMO Z403-2023



MATERIAL FINISH



Smooth

AVAILABLE COLOURS



Peach

Rose

Mousse

Berry



Thyme

Forest

Haze

Denim

Navy

Mist



Mocha

Smoke

Ash

Charcoal

Midnight

Cotton

Bala Affix

mudd.
concrete

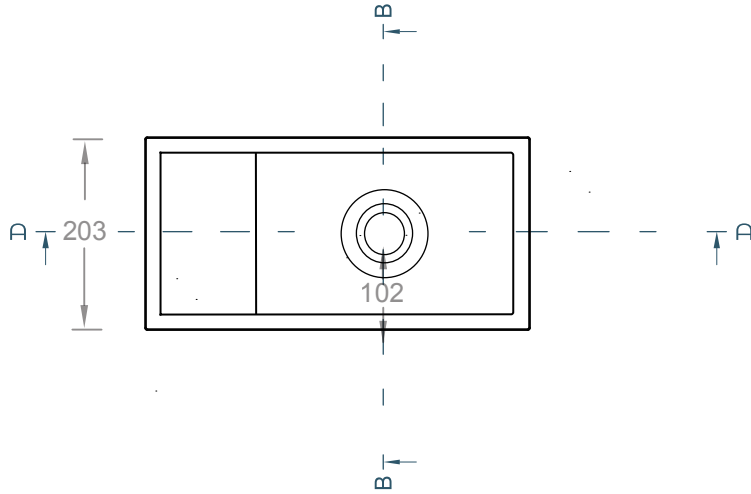
DESIGNED &
MADE IN CANADA

CONTACT

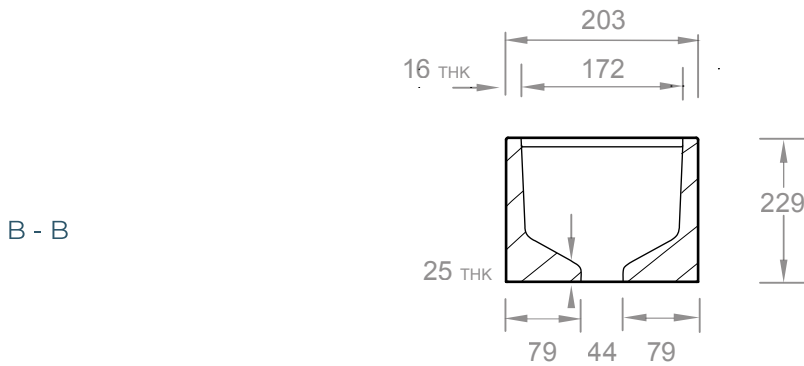
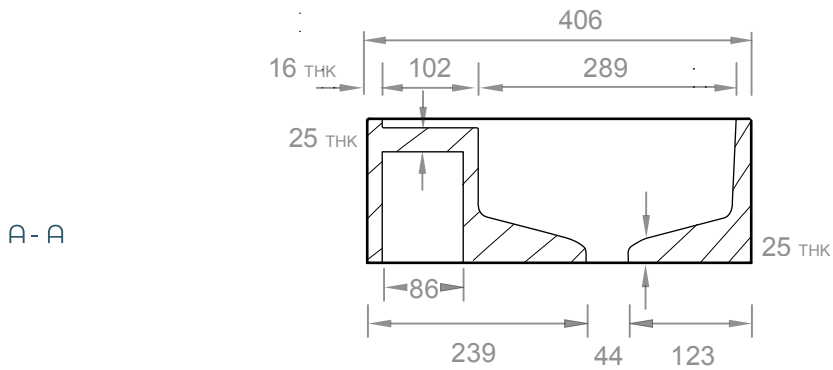
Toll Free
Phone
Email
Web

+1 888 510 2893
226-400-4101
hello@muddconcrete.com
muddconcrete.com

TOP VIEW



CROSS SECTION VIEW



Bala Affix

mudd.
concrete

DESIGNED &
MADE IN CANADA

CONTACT

Toll Free
Phone
Email
Web

+1 888 510 2893
226-400-4101
hello@muddconcrete.com
muddconcrete.com

PLUMBING SPECIFICATIONS

These dimensions are applicable to Orientations featuring:

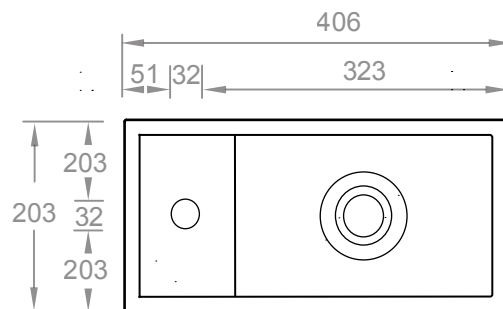
- Left Deck, with Faucet Hole
- Right Deck, with Faucet Hole

PLUMBING HOLES

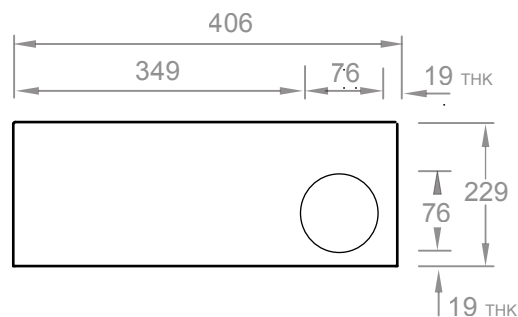
Faucet Hole: 1 - 1/4" (32 mm)

Plumbing Access Hole: 3" (76 mm)

TOP VIEW - LEFT DECK



BACK VIEW - LEFT DECK



Bucket Brackets

mudd.
concrete

DESIGNED &
MADE IN CANADA

CONTACT

Toll Free
Phone
Email
Web

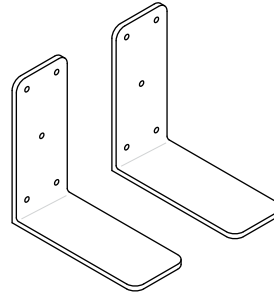
+1 888 510 2893
226-400-4101
hello@muddconcrete.com
muddconcrete.com

SM SPEC INFO

1/4" gauge steel, powder-coated matte black

THICKNESS

6mm (1/4")



SM BRACKET

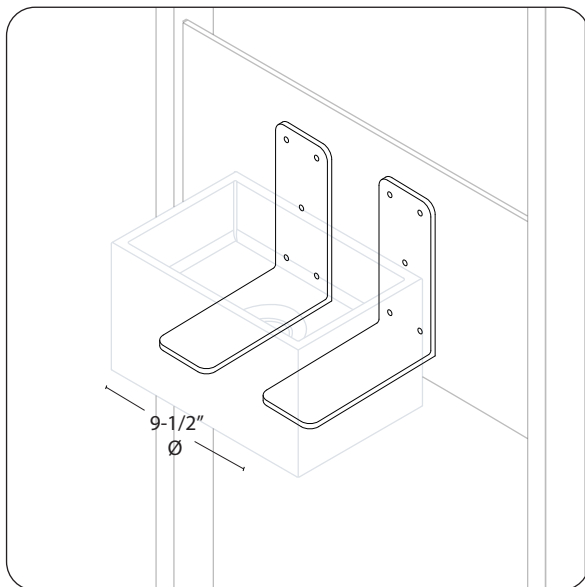
pair fit for Sira | Bala

184mm L x 76mm W x 184mm H
(7-1/4" L x 3" W x 7-1/4" H)

1.4kg (3.1lbs) each

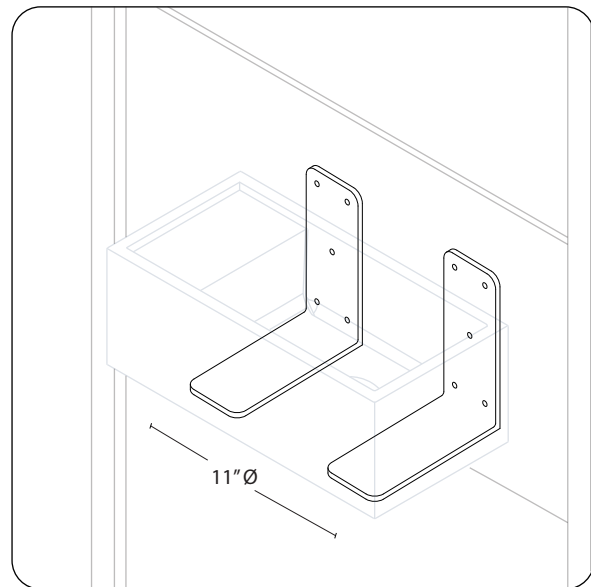
INSTALLATION

spacing of bracket pair



Sira

brackets should be spaced 9 1/2" (241 mm)
apart on centre to the drain



Bala

brackets should be spaced 11" (280 mm)
apart on centre to the drain