

Kuba Affix

mudd.
concrete

DESIGNED &
MADE IN CANADA

CONTACT

Toll Free
Phone
Email
Web

+1 888 510 2893
226-400-4101
hello@muddconcrete.com
muddconcrete.com

COLLECTION

Buket

DESCRIPTION

A cubed basin with subtle interior contours. Includes custom brackets for standalone mounting.

DIMENSIONS (BASIN)

343mm L x 343mm W x 343mm H
(13-1/2" L x 13-1/2" W x 13-1/2" H)

WEIGHT (BASIN)

32 kg (69 lbs)

DRAIN RQD

44mm (1-3/4") max. w/o overflow

CERTIFICATION

CSA B45.8:23/IAPMO Z403-2023

MATERIAL FINISH



Smooth

AVAILABLE COLOURS



Peach

Rose

Mousse

Berry



Thyme

Forest

Haze

Denim

Navy

Mist



Mocha

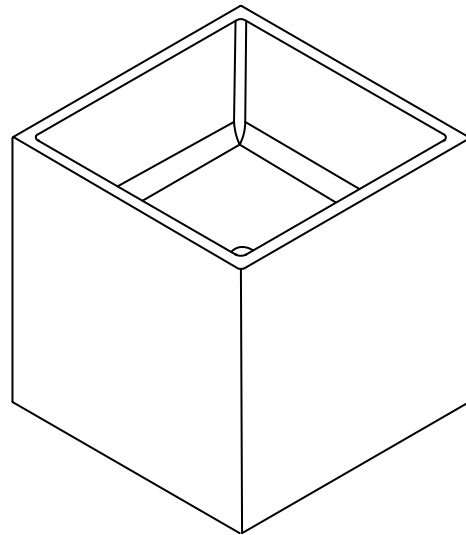
Smoke

Ash

Charcoal

Midnight

Cotton



Kuba Affix

mudd.
concrete

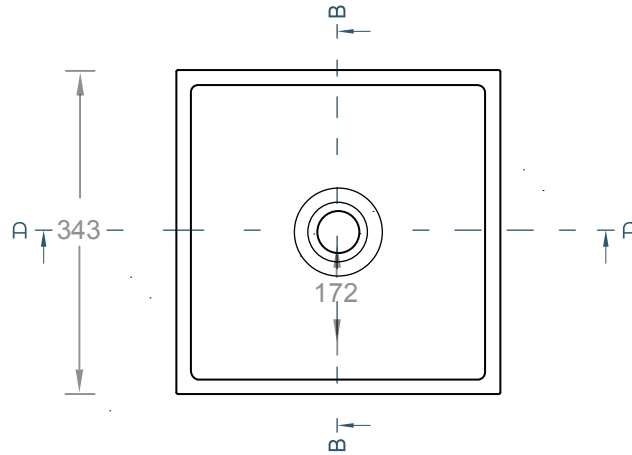
DESIGNED &
MADE IN CANADA

CONTACT

Toll Free
Phone
Email
Web

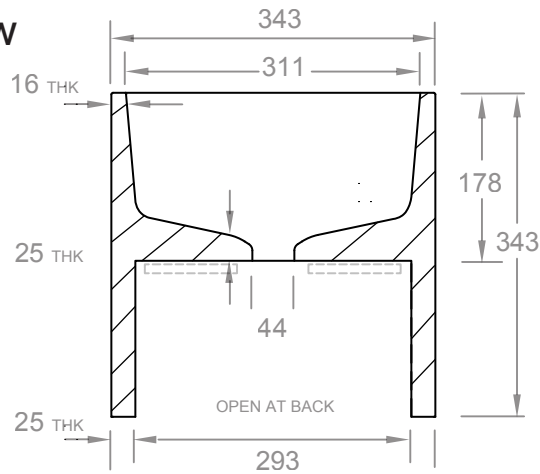
+1 888 510 2893
226-400-4101
hello@muddconcrete.com
muddconcrete.com

TOP VIEW

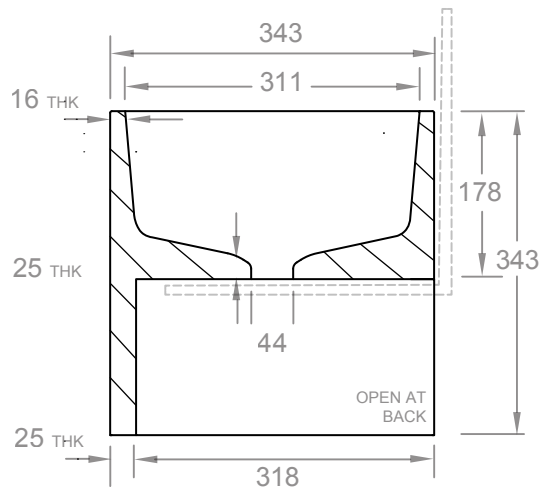


CROSS SECTION VIEW

A - A



B - B



mudd works to tolerances of +/- 5mm. SCALE 1:8
rev. 03/26

Buket Brackets

mudd.
concrete

DESIGNED &
MADE IN CANADA

CONTACT

Toll Free
Phone
Email
Web

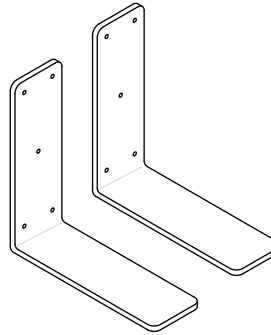
+1 888 510 2893
226-400-4101
hello@muddconcrete.com
muddconcrete.com

MD SPEC INFO

3/8" gauge steel, powder-coated matte black

THICKNESS

9mm (3/8")



MD BRACKET

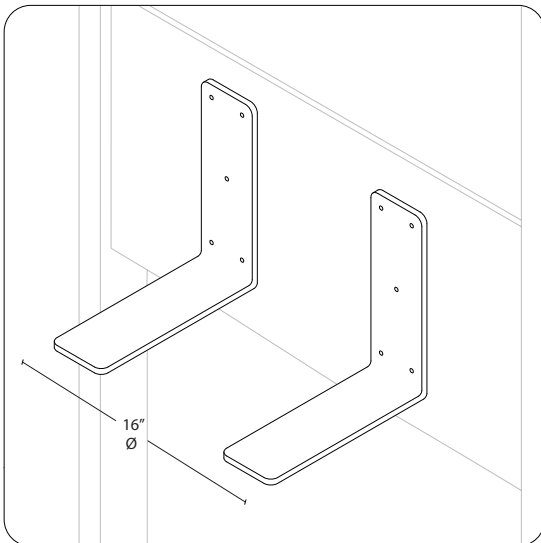
pair fit for Vola SM | Kuba

292mm L x 95mm W x 292mm H
(11-1/2" L x 3-3/4" W x 11-1/2" H)

4kg (9.2lbs) each

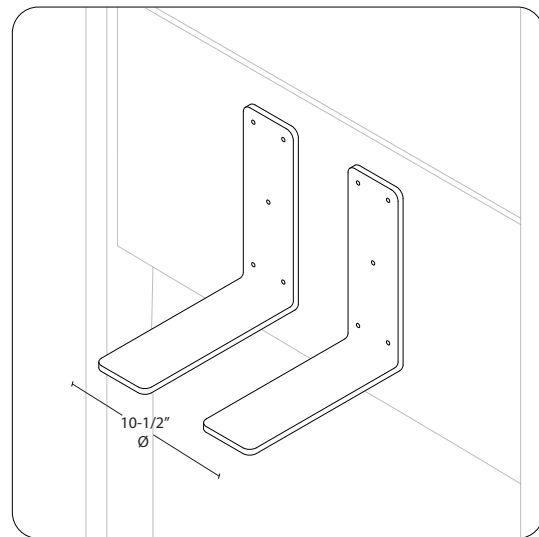
INSTALLATION

spacing of bracket pair



Vola SM

brackets should be spaced 16" (404 mm)
apart on centre to the drain



Kuba

brackets should be spaced 10-1/2" (267 mm)
apart on centre to the drain