

# Vola SM Affix

**mudd.**  
concrete

DESIGNED &  
MADE IN CANADA

## CONTACT

Toll Free  
Phone  
Email  
Web

+1 888 510 2893  
226-400-4101  
hello@muddconcrete.com  
muddconcrete.com

## COLLECTION

Buket

## DESCRIPTION

A mid-sized, rectangular bucket style basin with subtle interior contours. Includes custom brackets for standalone mounting.

## DIMENSIONS (BASIN)

457mm L x 305mm W x 191mm H  
(18" L x 12" W x 7-1/2" H)

## WEIGHT (BASIN)

26 kg (56 lbs)

## DRAIN RQD

44mm (1-3/4") max. w/o overflow

## CERTIFICATION

CSA B45.8:23/IAPMO Z403-2023

## MATERIAL FINISH



Smooth

## AVAILABLE COLOURS



Peach

Rose

Mousse

Berry



Thyme

Forest

Haze

Denim

Navy

Mist



Mocha

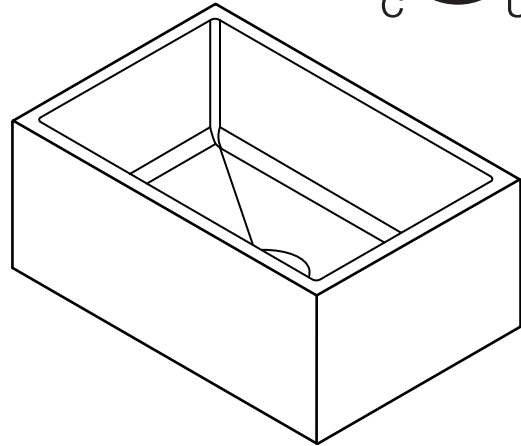
Smoke

Ash

Charcoal

Midnight

Cotton



# Vola SM Affix

**mudd.**  
concrete

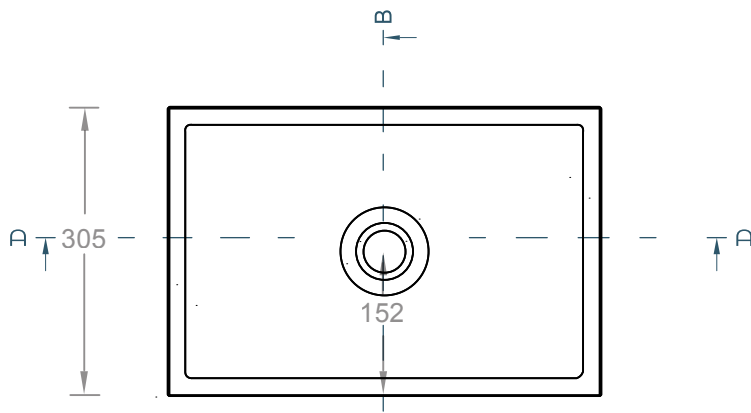
DESIGNED &  
MADE IN CANADA

## CONTACT

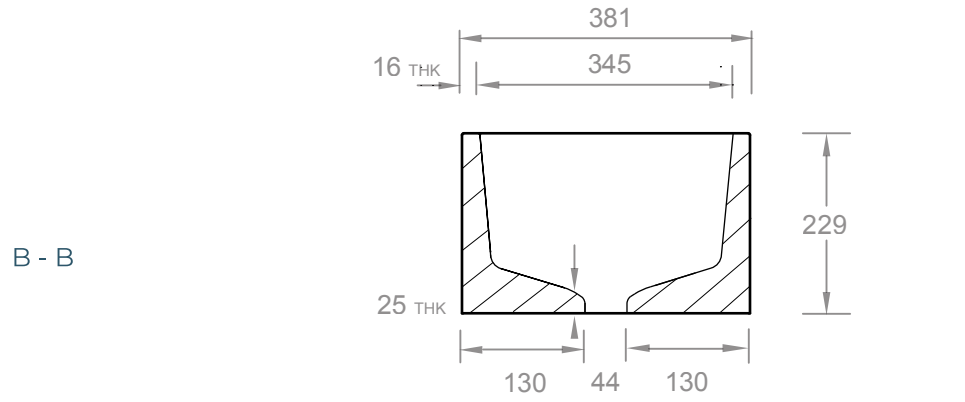
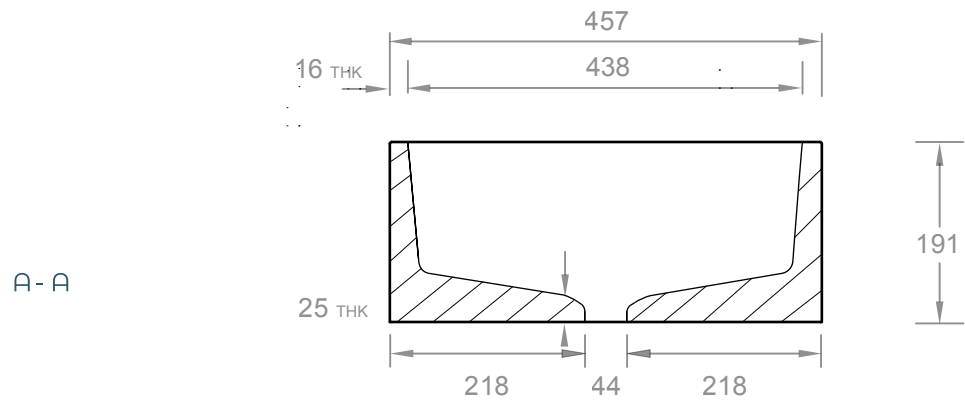
Toll Free  
Phone  
Email  
Web

+1 888 510 2893  
226-400-4101  
hello@muddconcrete.com  
muddconcrete.com

## TOP VIEW



## CROSS SECTION VIEW



mudd works to tolerances of +/- 5mm. SCALE 1:8  
rev. 03/26

# Buket Brackets

**mudd.**  
concrete

DESIGNED &  
MADE IN CANADA

## CONTACT

Toll Free  
Phone  
Email  
Web

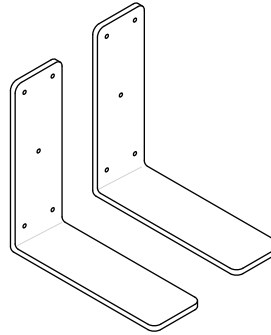
+1 888 510 2893  
226-400-4101  
hello@muddconcrete.com  
muddconcrete.com

## MD SPEC INFO

3/8" gauge steel, powder-coated matte black

## THICKNESS

9mm (3/8")



## MD BRACKET

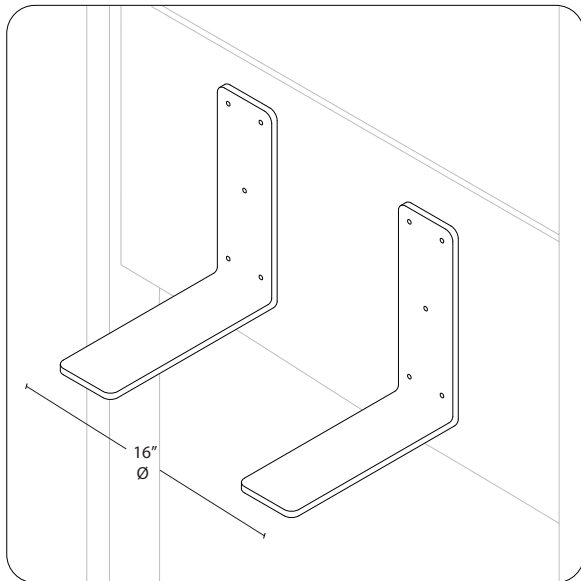
pair fit for Vola SM | Kuba

292mm L x 95mm W x 292mm H  
(11-1/2" L x 3-3/4" W x 11-1/2" H)

4kg (9.2lbs) each

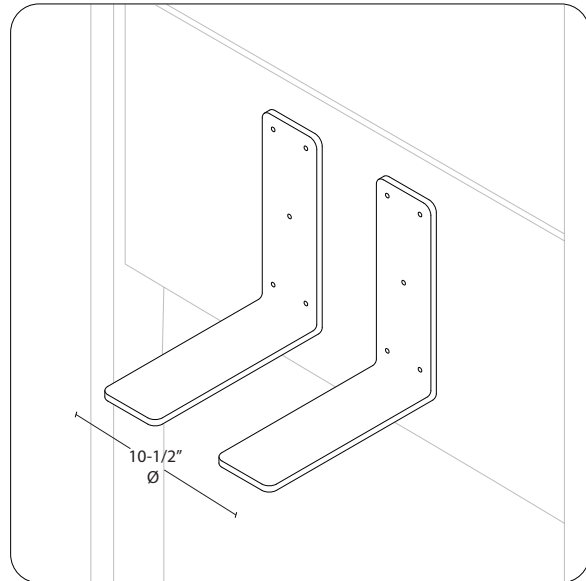
## INSTALLATION

spacing of bracket pair



### Vola SM

brackets should be spaced 16" (404 mm)  
apart on centre to the drain



### Kuba

brackets should be spaced 10-1/2" (267 mm)  
apart on centre to the drain